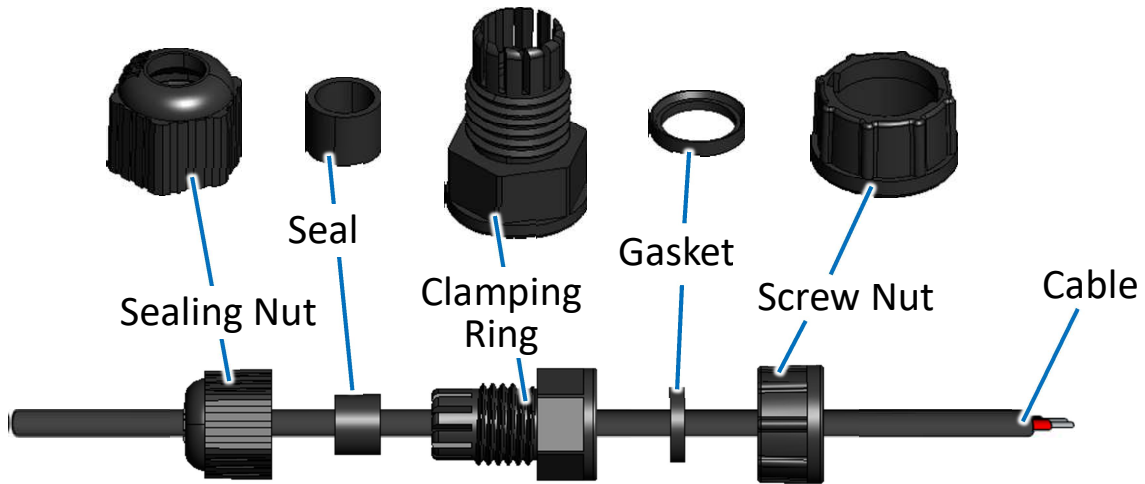
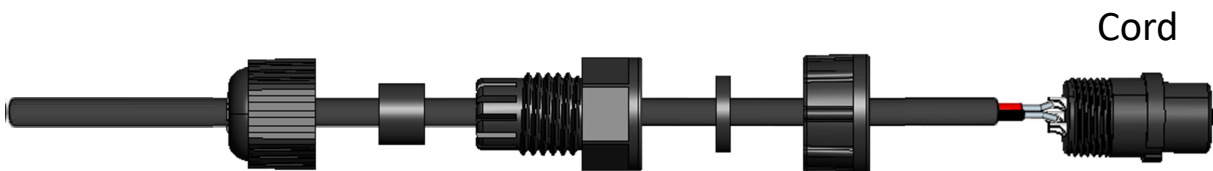


How to Install:

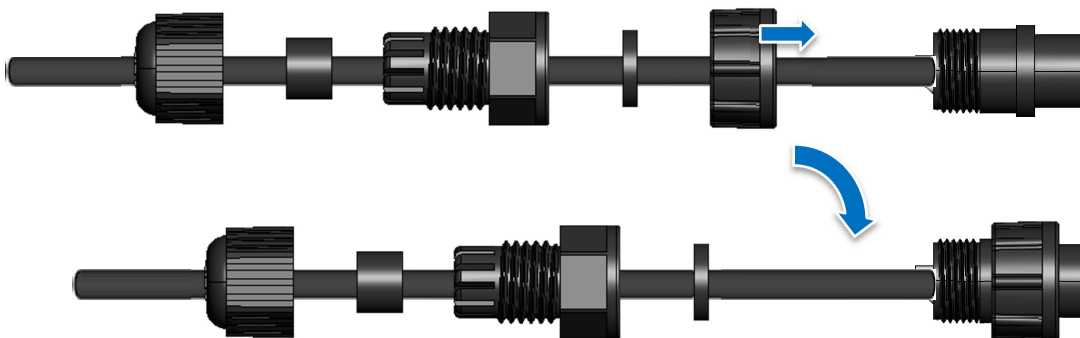
1. Feed the end of the cable through the **Sealing Nut**, **Seal**, **Clamp Ring**, **Gasket** and **Screw Nut**



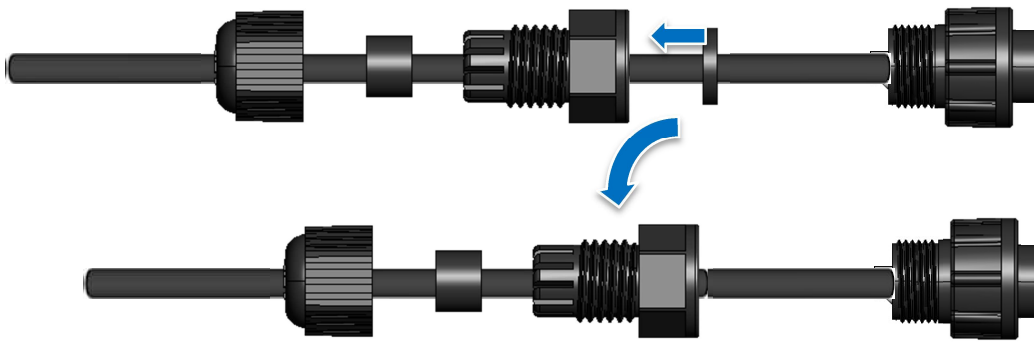
2. Insert cable into the holes on the Cord Connector. See the table below for the correct pin-out connections.



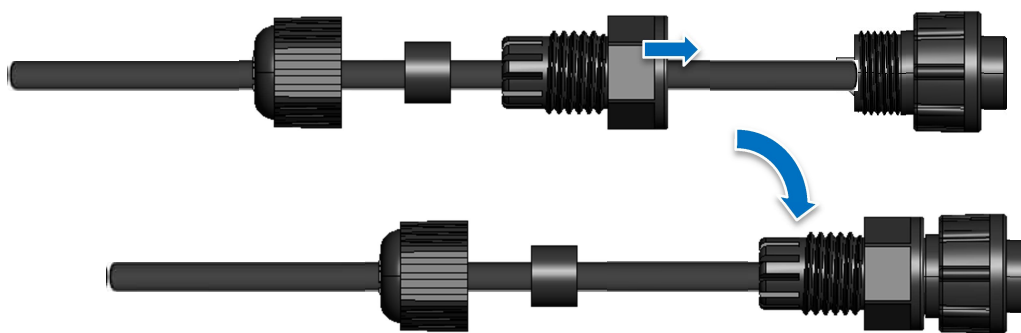
3. Wrap the Lock Nut around the Cord Connector



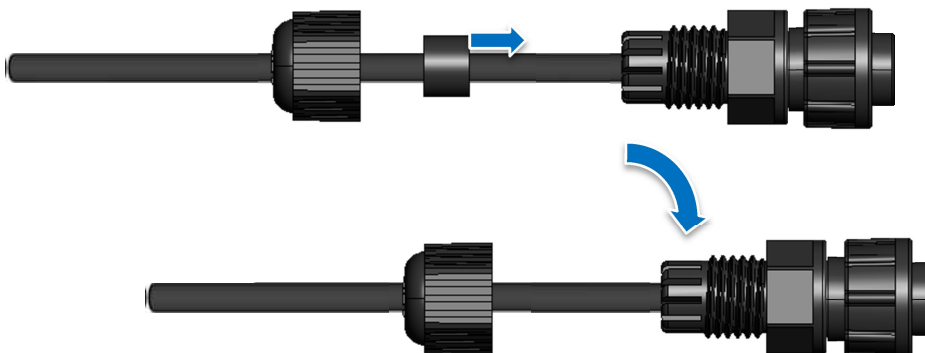
4. Insert the Gasket into the Clamping Ring



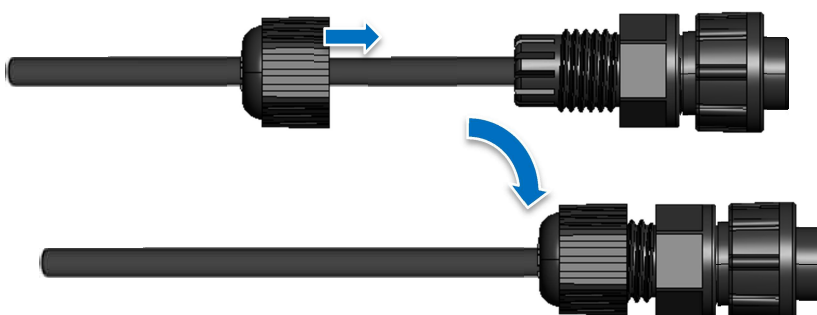
5. Wrap the Clamp Ring around the Cord Connector



6. Insert the Seal into the Clamp Ring



7. Push the Sealing Nut forward and Hand-tighten it to seal the assembly



8. Wrap the O-Ring around the Cord Connector

